



**STONE  
REEF**



# DOOR STOPPER

Here we'll show you, step by step, how to properly adjust your door stopper so your door closes quietly, smoothly, and reliably.

Not by luck or guesswork – but with a systematic approach.

STONE REEF GmbH  
Nelkenstr. 15  
85591 Vaterstetten  
Germany  
SR-1401  
[service@stonereef.de](mailto:service@stonereef.de)



# CONTENTS

**INSTRUCTIONS**

**INSTALLATION**

**LET'S GET STARTED**



# INSTALLATION INSTRUCTIONS

**HELPFUL TIPS**



# INSTALLATION INSTRUCTIONS

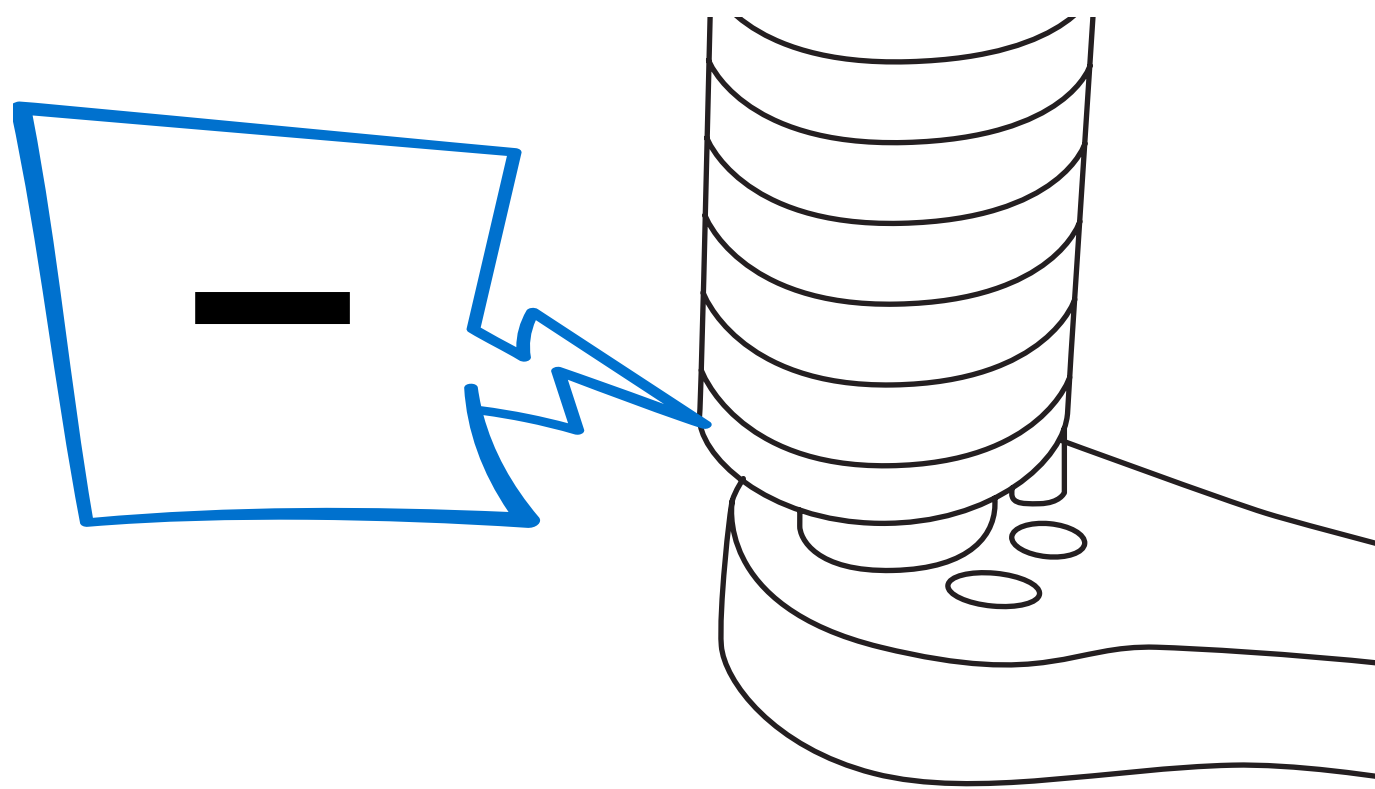
## TIPS & TRICKS



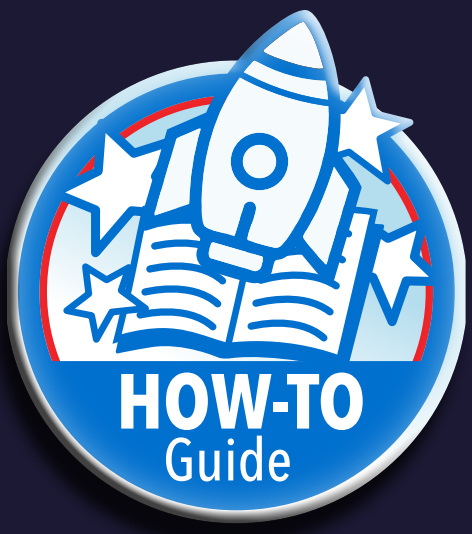
There are two ways to install your new door closer: with or without screws. For best results, we recommend installing it with screws.



Depending on which hole the spring is inserted into, the door will open faster or slower. We recommend setting it to the lowest resistance.



If the door stopper squeaks, please lubricate the spring and inner jaws; this reduces friction.



# INSTALLATION INSTRUCTIONS

## TIPS & TRICKS

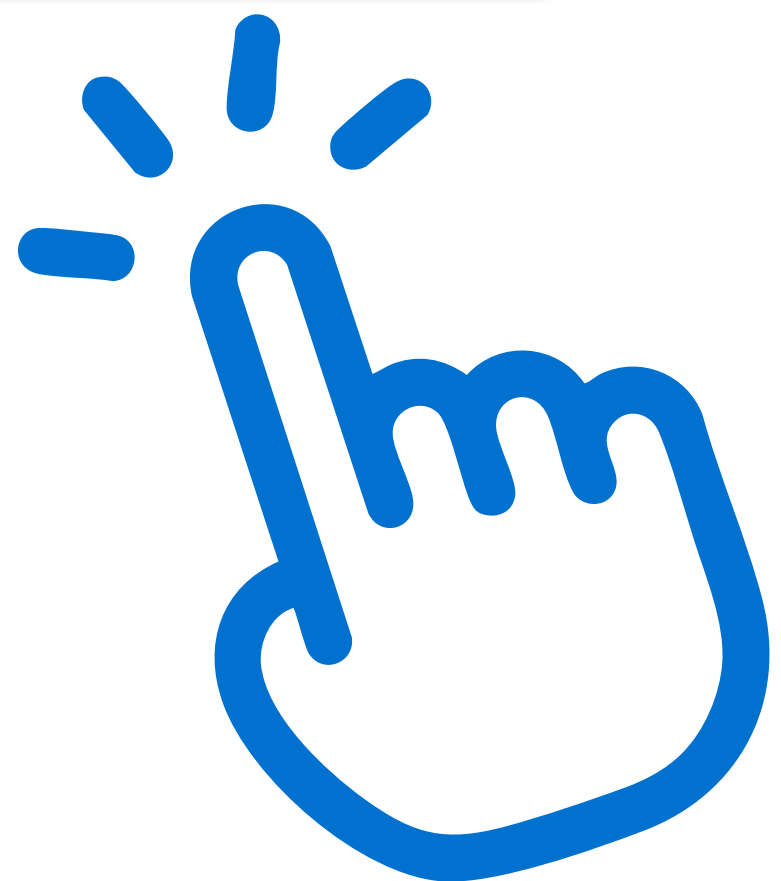


Important: The door stopper is designed for doors that open a maximum of 90°. At a larger angle, the spring may snap back because it is under too much tension.



If you encounter any problems, our customer service team is happy to assist you.

**CUSTOMER SERVICE**



**CONTINUE TO INSTALLATION**

# INSTALLATION

RIGHT AND LEFT SIDES

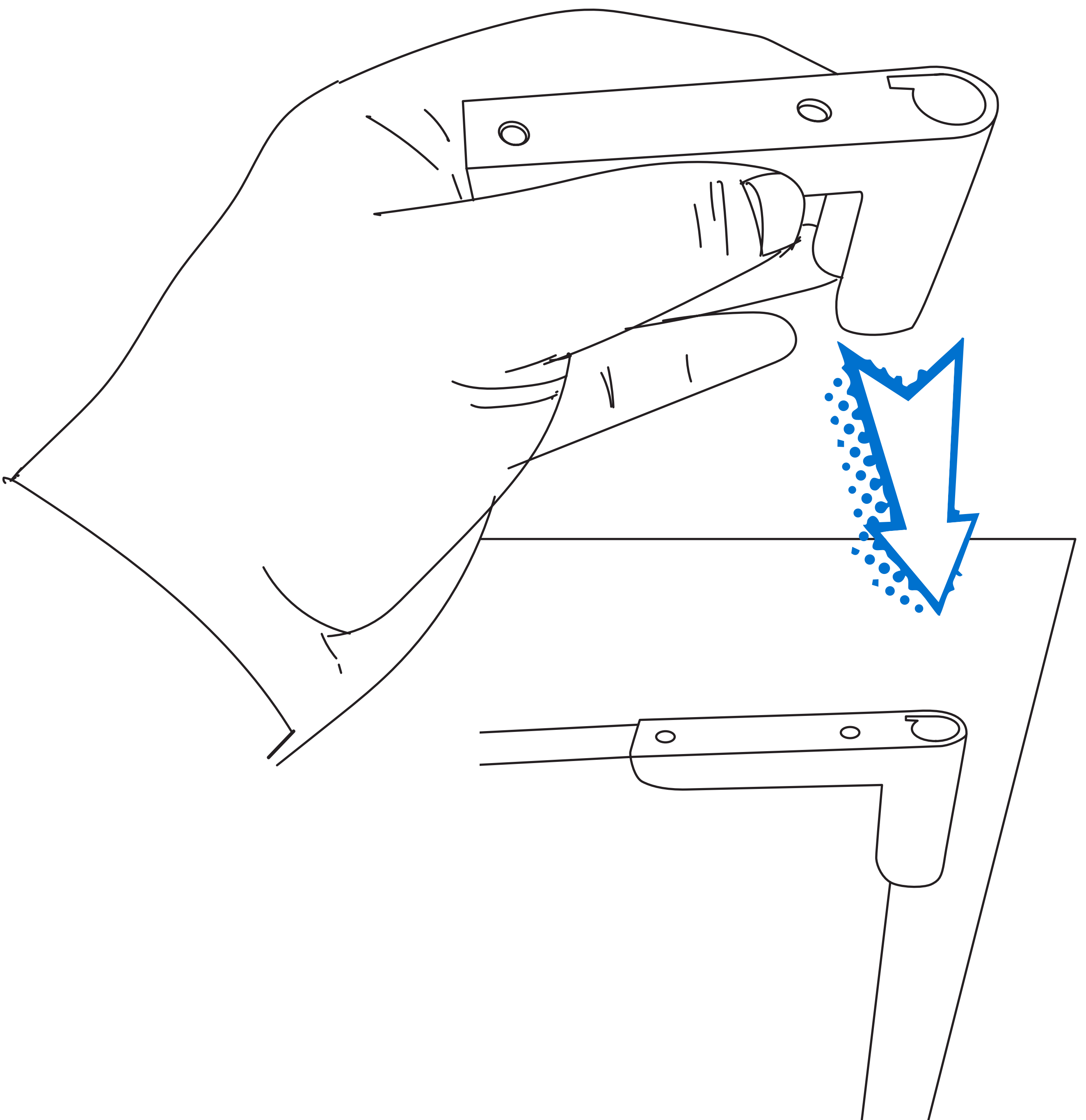


# INSTALLATION

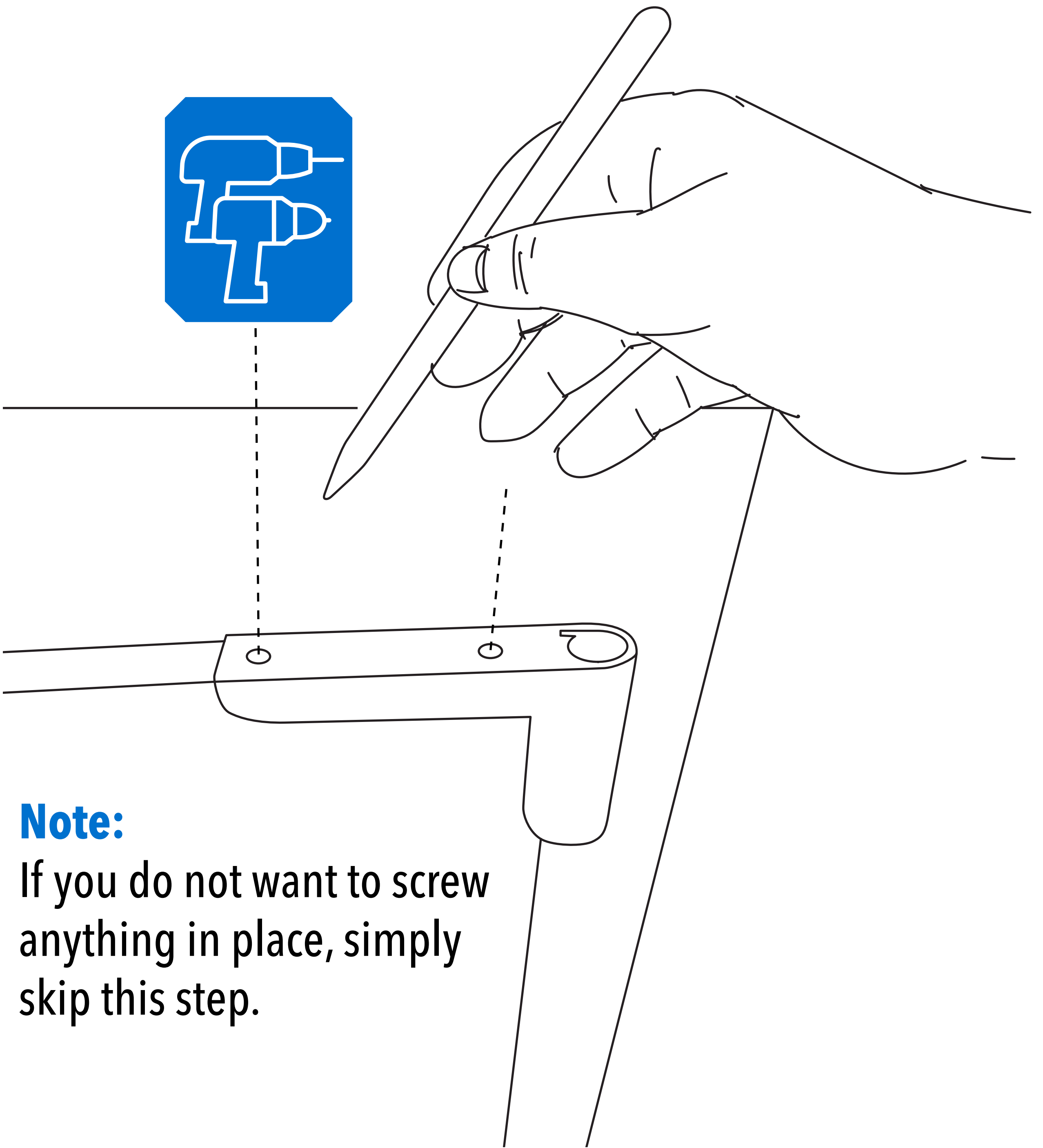
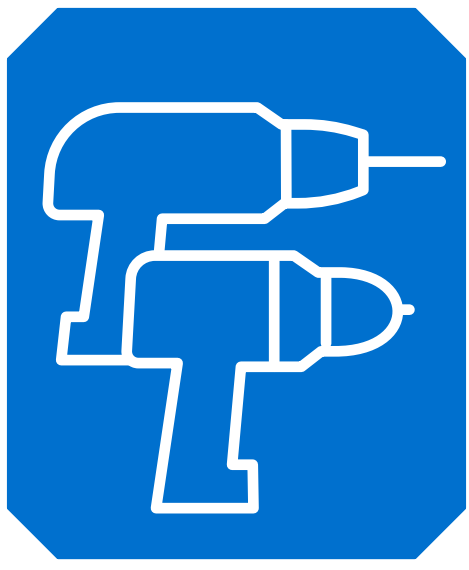
## RIGHT AND LEFT SIDES

**1A**

Take the door bracket and place it on the door panel. Make sure the bracket fits cleanly and securely.



Mark the position of the door bracket using the existing drill holes. Then remove the bracket and drill the two marked holes.

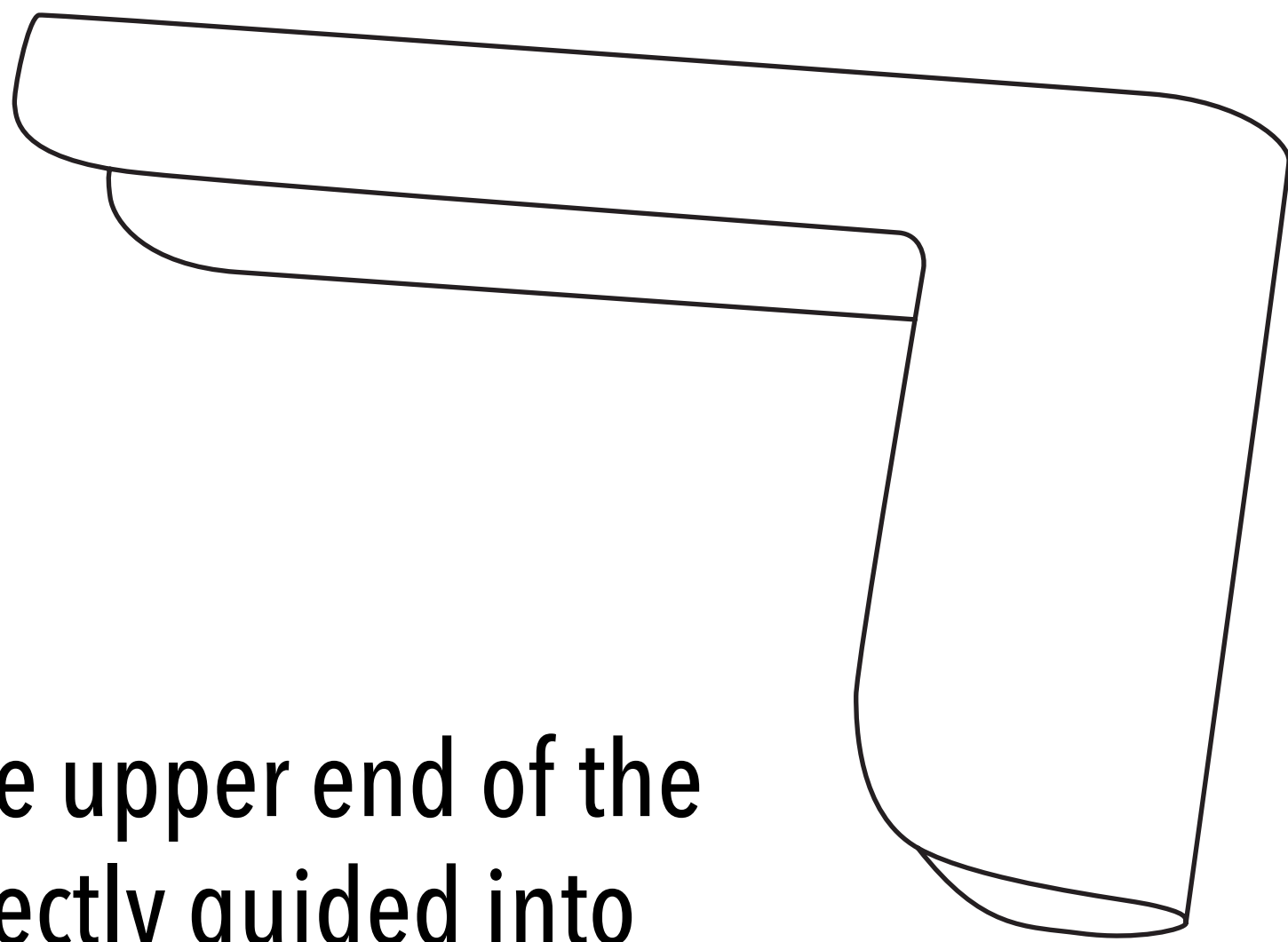
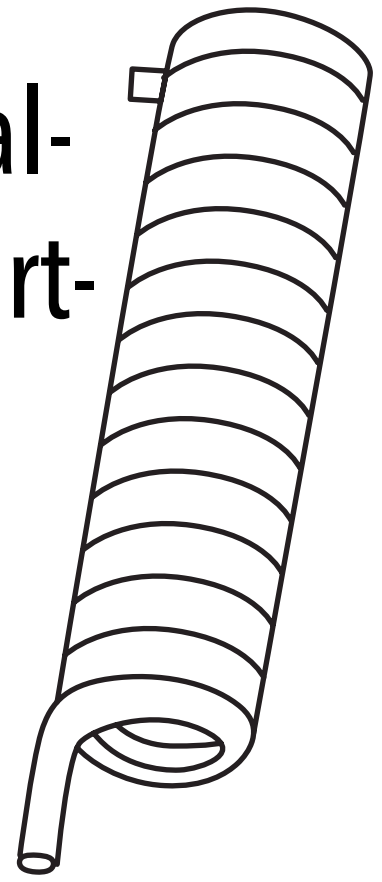


**Note:**

If you do not want to screw anything in place, simply skip this step.

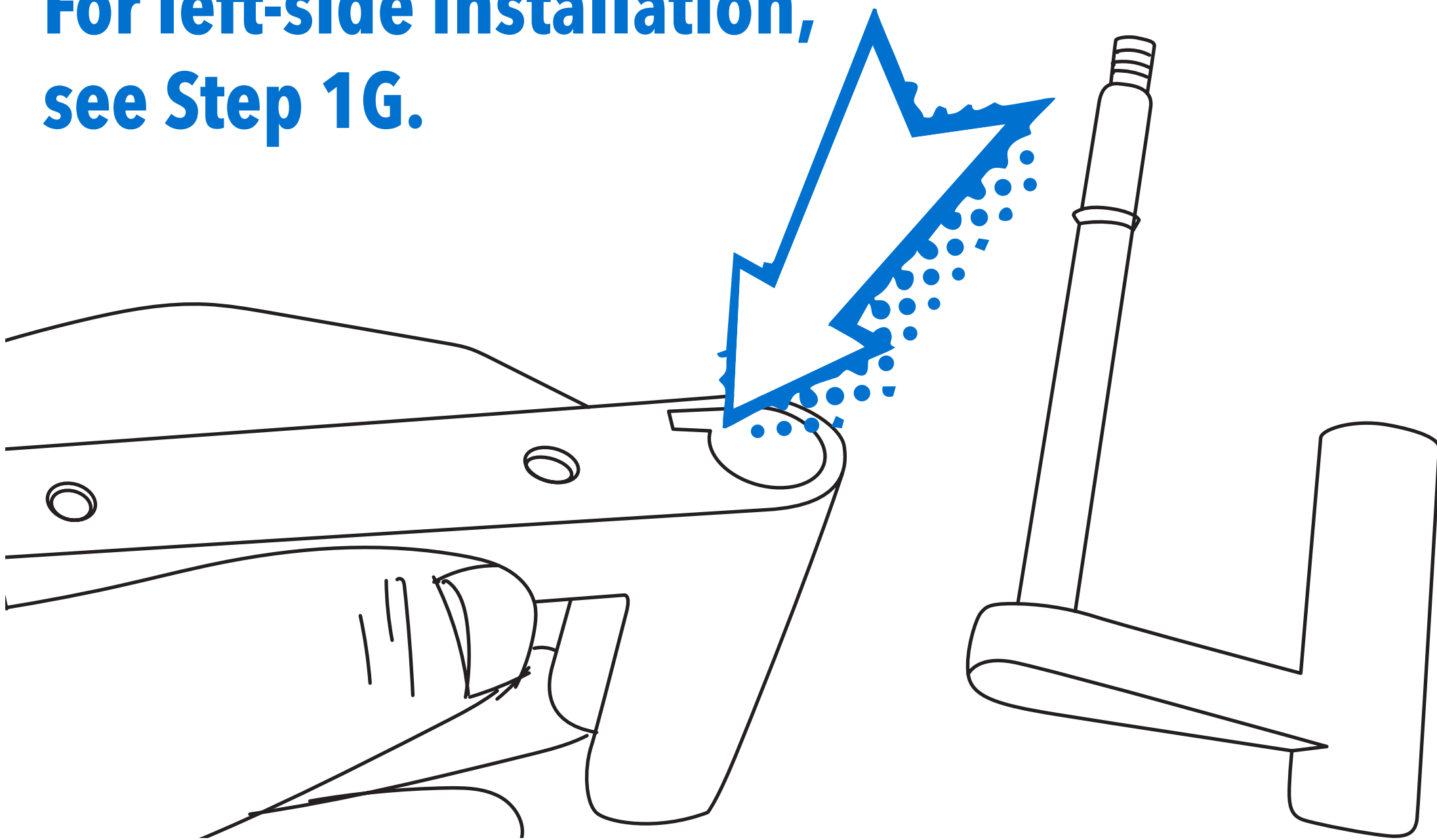
**1C**

Now insert the spring into the door hinge. For right-side installation, the spring must be inserted from above.

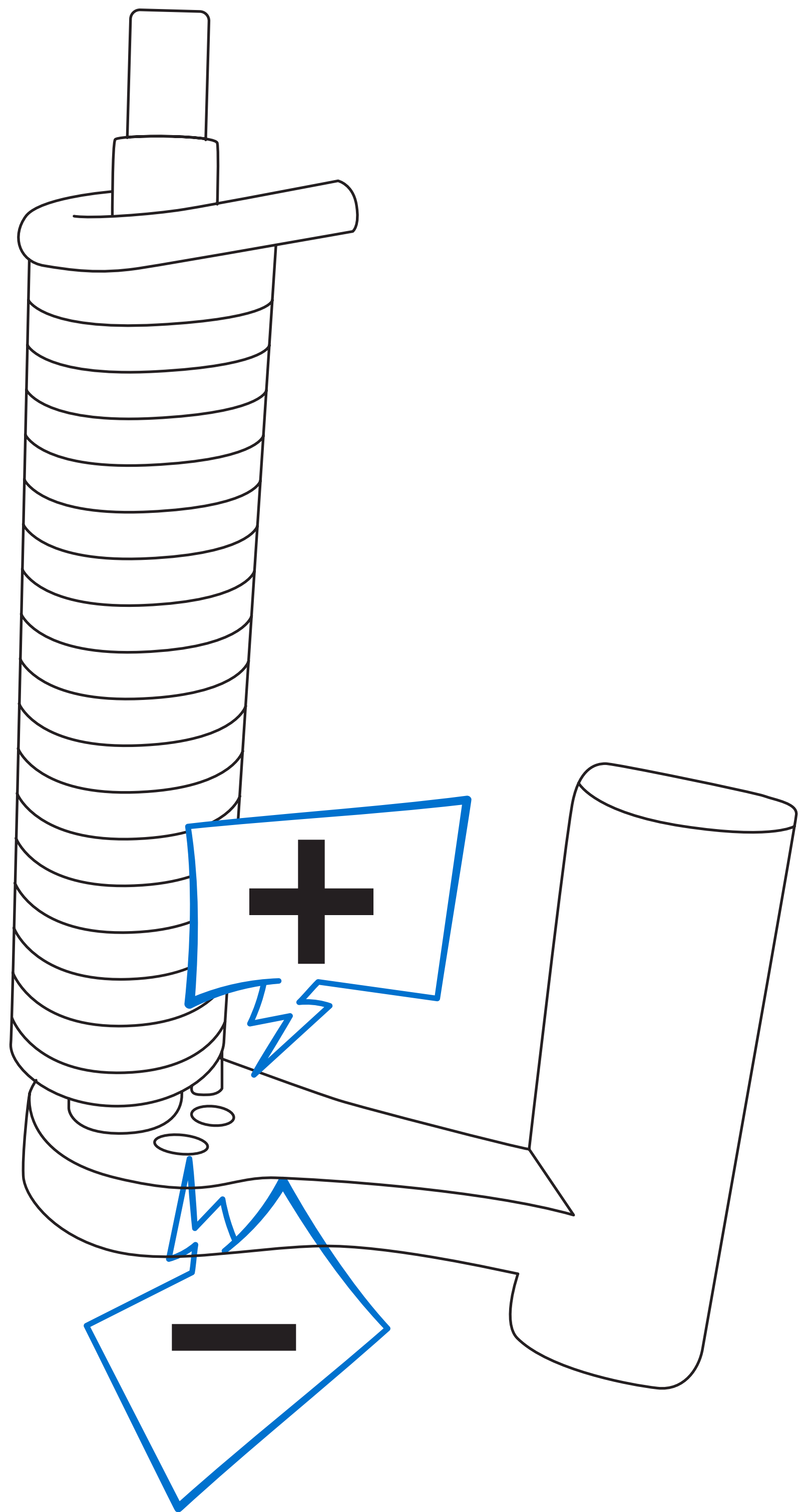


Make sure the upper end of the spring is correctly guided into the designated recess.

**For left-side installation, see Step 1G.**



**1D**



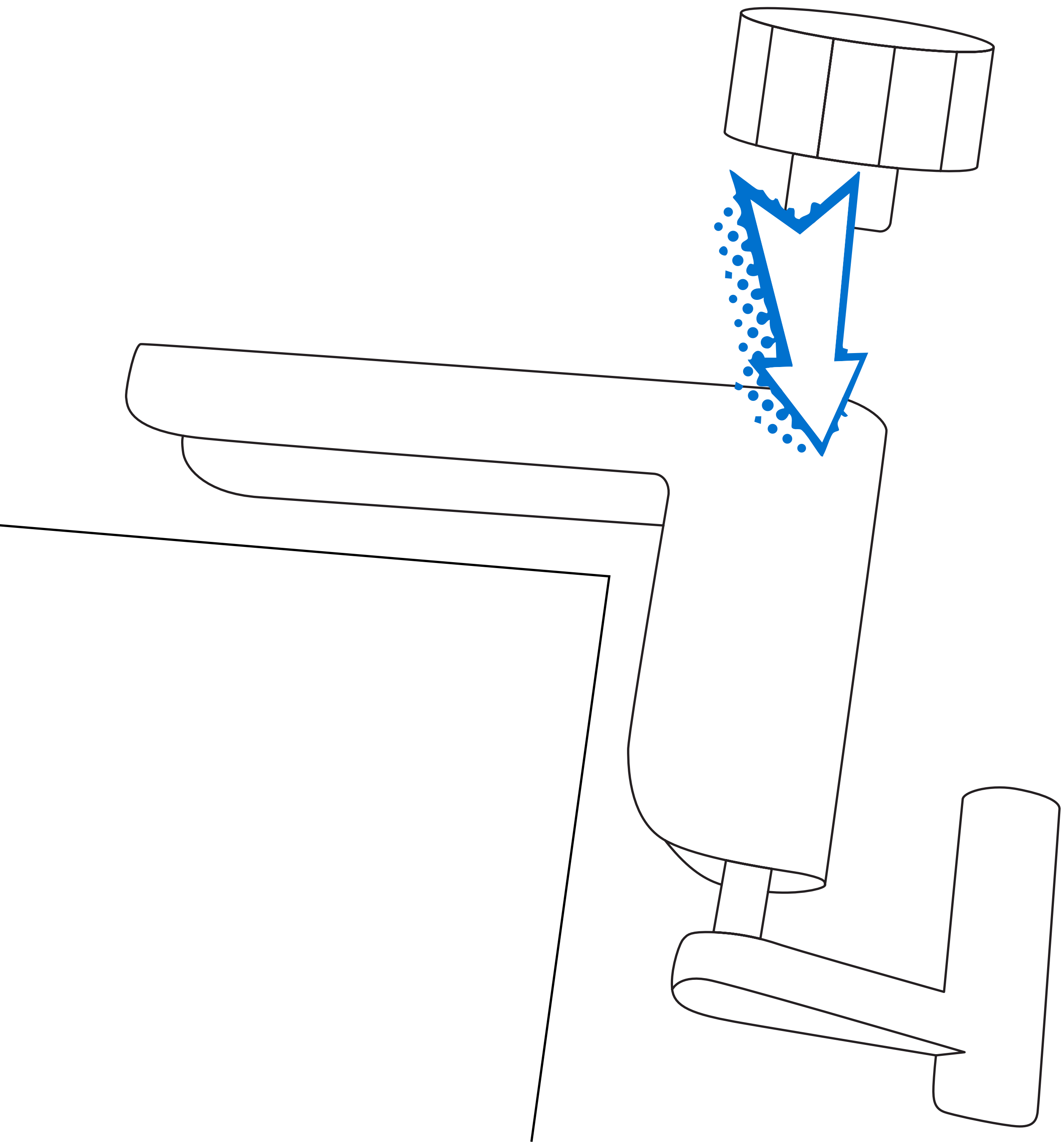
Also make sure that the end of the spring is inserted into the designated holes on the return bracket.

**Note:**

The strength of the return force is adjusted via the holes. We recommend setting it to the lowest resistance.

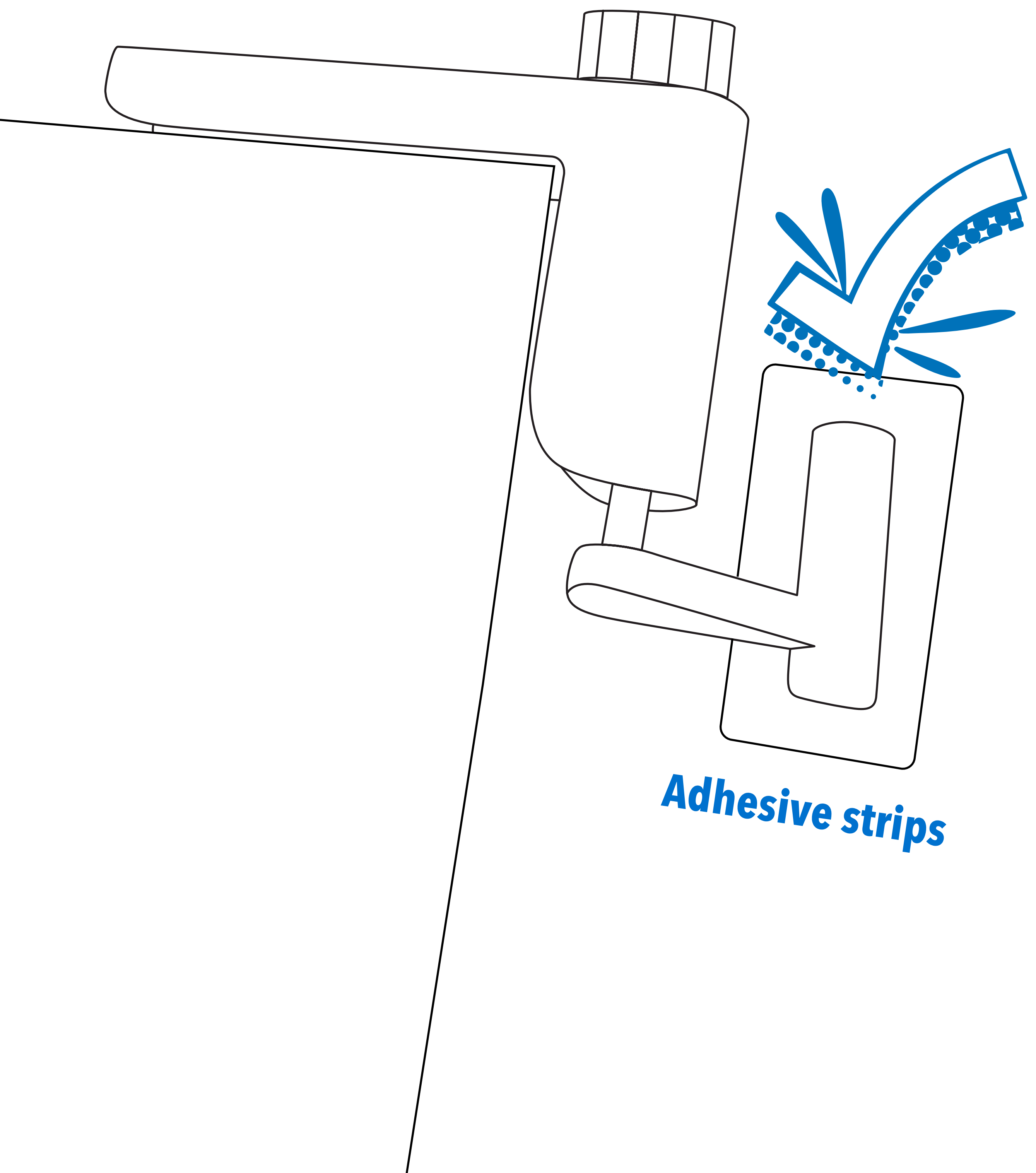
**1E**

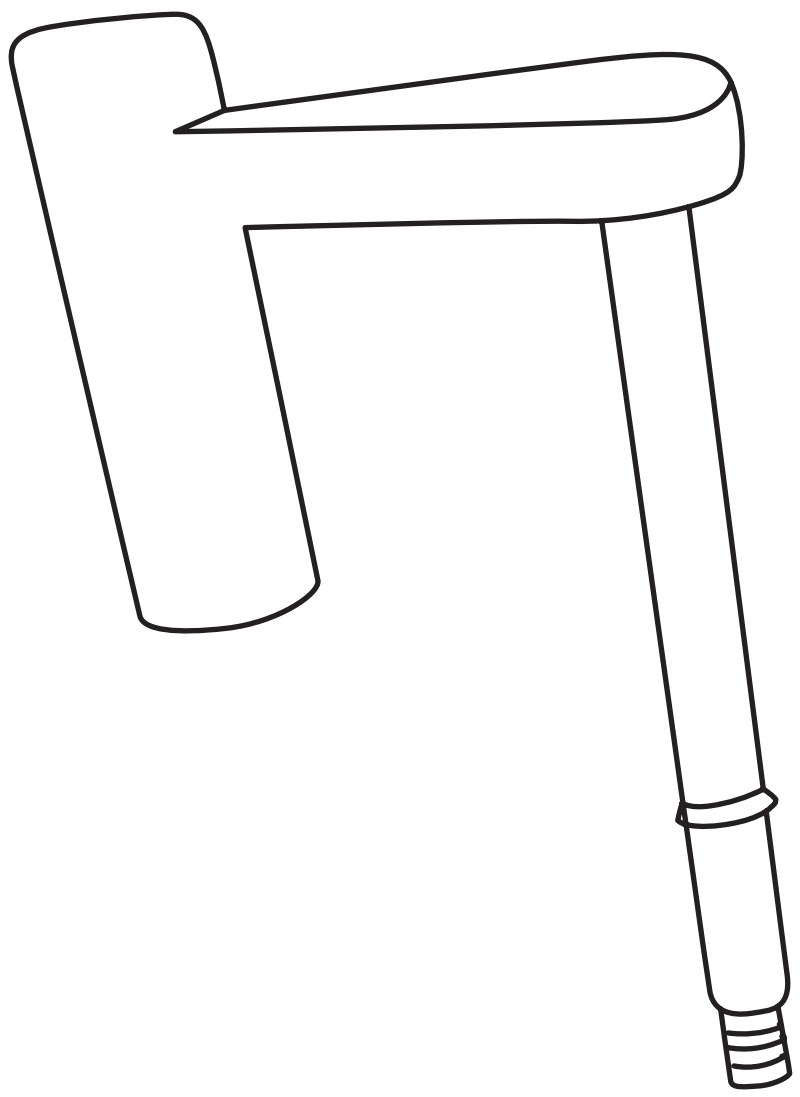
Complete the installation by screwing the nut onto the door bracket and then mounting the door stopper on the door.



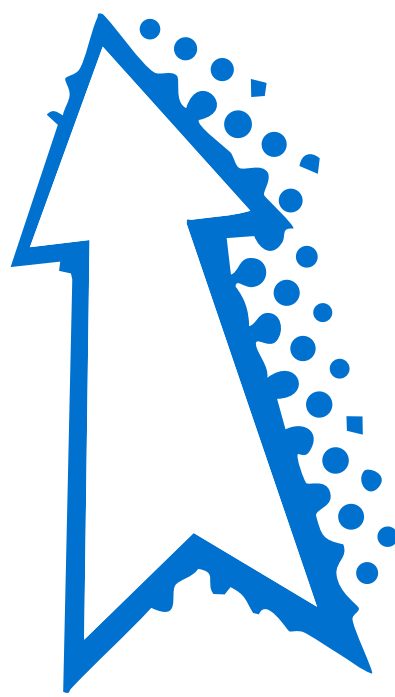
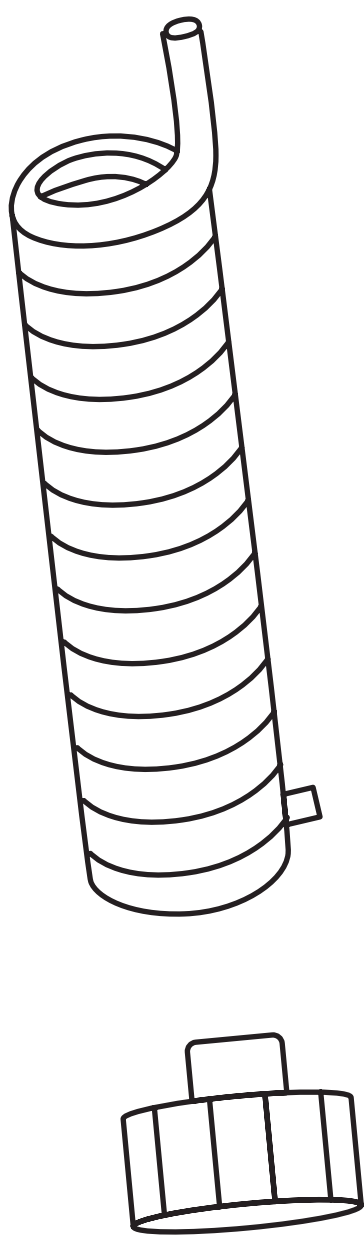
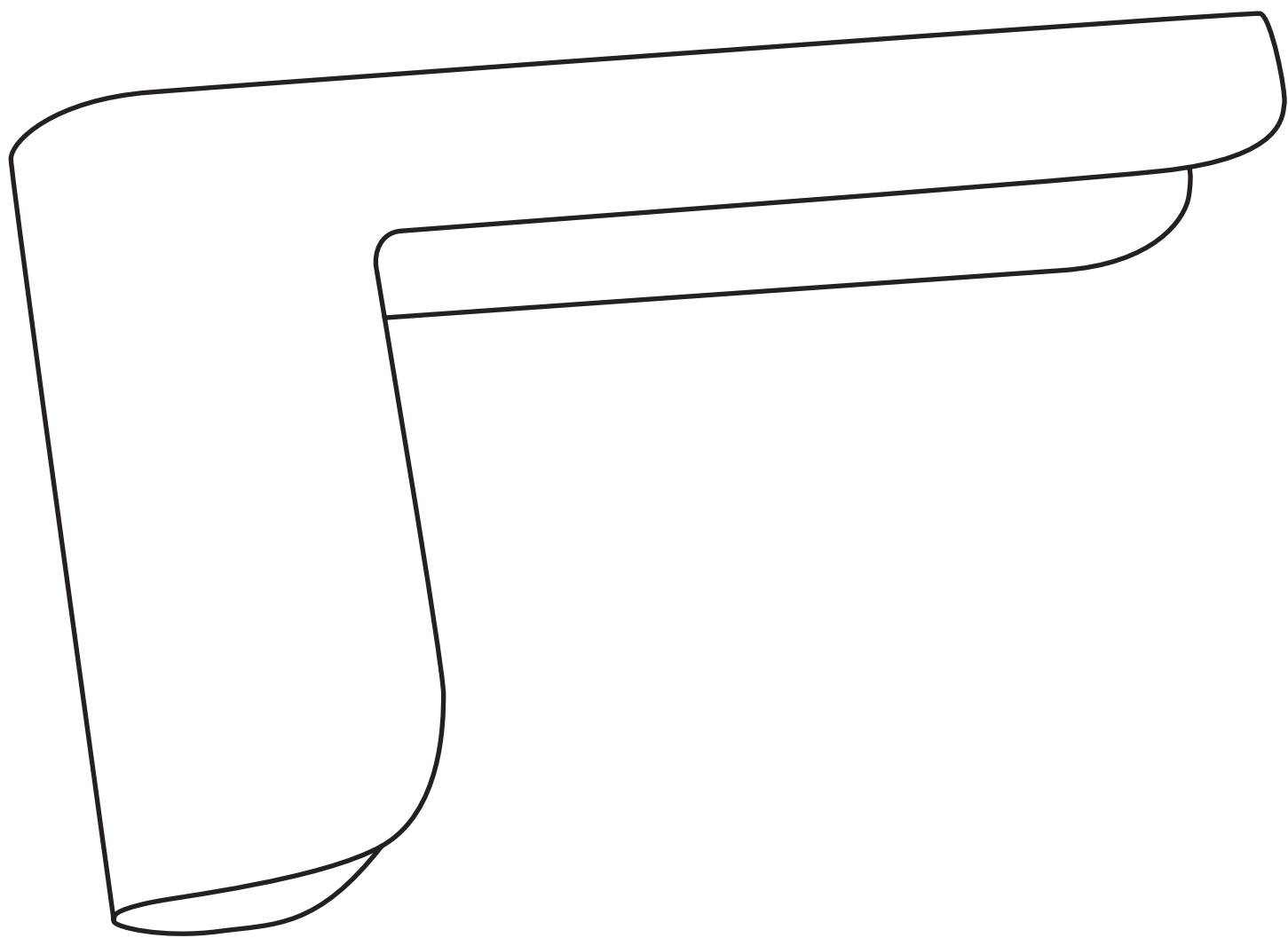


In the final step, stick the transparent film to the spot where the return bracket sits on the door frame to prevent damage and slipping.





Installation on the left side works in the same way as installation on the right. The only difference is that the spring and the return bracket are inserted from the other side (see image).



CUSTOMER SERVICE

# CONTACT



**SR-1401**



STONE REEF GmbH  
[service@stonereef.de](mailto:service@stonereef.de)